

64 SERIES

Multi Stack Filter Housing






The **64 Series** Multi cartridge housing is designed to accommodate 3, 5, 10 or 15 stacks of filters up to 40" long. The centre positioned, split shell opening style is equipped with a Cast Vee clamp as standard for pressures ranging from FV - 10 bar g. Leg mounted with the split shell opening, this is the ideal choice when using Single Open End plug in style cartridges. The simple to lift off lightweight dome allows full and easy access to the cartridges for rapid changeouts. With the free draining clean chamber, the **64 Series** housings suit processes where cleanliness and ease of operation are essential. Accepting both standard Double Open End and Single Open End cartridges, this leg mounted, free standing housing will suit most applications. Bolted closures are an option available for all models.

The **64 Series** will accept the full range of Amazon and industry standard cartridges with nominal lengths of 20, 30 and 40".

Product Features:

- Split body design allows easy access to cartridges on changeout
- Dished bottom end allows complete drainage of clean chamber, leading to improved system cleanliness
- Adjustable strap legs allow the user to set inlet and outlet heights
- Vee clamp closures use unique 'W' style seal for reliable leak free operation
- High quality cast Vee clamps for safety and security
- Cast compression nut with integral PTFE washer for easy, hand tight cartridge sealing
- Wide range of connection sizes and types available
- Universal cup allows the use of plug in Code 3, Code 8 and Code A) and DOE cartridge styles in the same housing
- PED and ATEX Compliant
- WRAS Approved product



Accessories	
Pressure Gauge and Vent Valve Kit	
Pressure Gauge and Auto Vent Valve Kit	
Ball Valve and Nipple	

Features and Benefits

- Large selection of housing sizes available so suitable for a wide range of processes
- Integral vent, clean and dirt drains to aid efficient filter changeout
- Each housing hydrostatically pressure tested
- Internally and externally electropolished as standard
- Each housing etched with a unique serial number for full traceability
- Full housing customisation service available
- Universal cup allows the use of plug in (Code 3, Code 8 & Code A) or DOE cartridge styles in the same housing
- WRAS Approved product

Product Range

Amazon Filters design and manufacture an extensive range of liquid filtration systems, providing one of the widest selections of filtration vessels, depth filters and pleated cartridges available today, ensuring excellent process and filter compatibility. As one of Europe's leading manufacturers of filtration systems, Amazon Filters is able to offer a solution to meet all filtration requirements. Amazons' filters are manufactured in clean room conditions and all products come with detailed Product Validation Guides and Technical Support documentation.



64 Series Technical Data

Max Operating Conditions	6403	6405	6410	6415
Liquids: Vee clamp:	10 bar g	10 bar g	10 bar g	7 bar g
Bolted closure:	FV/10 bar g	FV/10 bar g	FV/10 bar g	FV/10 bar g
Gases: Vee clamp:	7.5 bar g	4.5 bar g	2 bar g	1.5 bar g
Bolted closure:	FV/7.5 bar g	FV/4.5 bar g	FV/2 bar g	FV/1.5 bar g
Temperature Range:	-10°C / 150°C			

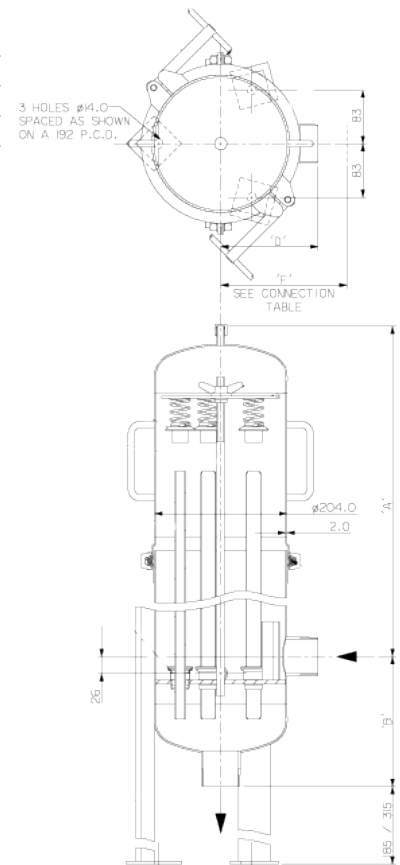
Materials of Construction

Body:	316L St.Steel
Closure:	Vee Clamp - 304 St.Steel Screw Clamp - Zinc Plated carbon steel (Optional stainless steel)
Vessel Finish:	Electropolished

Connections	6403-05	6410	6415
Inlet/Outlet:	2" BSPM	3" Flange	4" Flange
Vent:	¼" BSPM	¼" BSPM	½" BSPM
Drain:	½" BSPM	½" BSPM	1" BSPM

Technical drawings for each housing showing dimensions, volume and weights available on request.

PED Status	Compliant with 97/23/EC
Fluid Groups:	Liquid Groups 1 + 2 Gas Group 2
Marking:	CE
Exceptions:	Group 1 liquids - Explosive
ATEX:	Compliant 94/9/EC, level CE Ex II 2 GD c X



Ordering Guide

6405	2	0	A	C	20	A	1	E	E
No of Stacks	Cartridge Length	Cartridge End Cap Style	Closure Style	Mounting	Connection	Connection Type	Materials	Finish	Seal
6403 - 3 6405 - 5 6410 - 10 6415 - 15	2 - 20" (6403 & 6405 only) 3 - 30" 4 - 40"	0 - Code 0 7 - Code 7 8 - Code 8 A - Code A U - Universal	A - Cast Vee Clamp E - Dome cover with Screw Clamps T - Dome cover with St.Steel screw clamps	B - Fixed Legs C - Adjustable Legs (6403 & 6405 only)	3-5 Stack 20 - 2" 30 - 3" (6405 only) 10-15 Stack 30 - 3" 40 - 4"	A - BSPM C - BS4504 Flange PN16 G - Table 'E' Flange H - ANSI Flange 150# K - Stub Pipe L - Tri Clamp M - DIN11851 Coupling N - RJTM Coupling P - SMSM Coupling R - IDFM Coupling S - DIN2633 Flange U - NPTM (2" only)	1 - 316 st.st (L Grade)	E - Electropolished	E - EPDM F - FEP/Silicone (Screw clamps only) S - Silicone (not available on 6415) V - Viton

Example: 640520AC20A1EE = 64 Series, 5 x 20" DOE cartridge, Cast vee clamp closure, Adjustable Legs, 2" BSPM connections. 316L St.Steel construction with EPDM gaskets, electropolished all over.
Note: Not all options are available on every housing, please refer to Sales Office.

AMAZON FILTERS LTD.

ALBANY PARK ESTATE, FRIMLEY ROAD
CAMBERLEY, SURREY, GU16 7PG
ENGLAND

Tel. +44 (0) 1276 670600
Fax. +44 (0) 1276 670101
Email. sales@amazonfilters.co.uk
Web. www.amazonfilters.com