

51 SERIES

Single Stack Filter Housing



The **51 Series** single cartridge housing is renowned for its high quality design and manufacture. With the ability to accept both standard Double Open End and Single Open End cartridges, this single stack housing with Vee clamp closure has proved very successful in a wide variety of applications within the liquids processing industry.

The **51 Series** will accept the full range of Amazon and industry standard cartridges ranging from 0.1 to 500µm with nominal lengths of 5, 10, 20 and 30".

Product Features

- Quick release Vee Clamp Closure for easy opening
- Lightweight, high specification investment cast head







Double Open Ended

Single Open Ended

- Easy to use tie rod assembly design ensures cartridge centralisation (for a reliable knife edge seal) that enables the use of either 9.75" or 10" cartridge length configurations (or multiples) in the same housing
- Dual purpose head accepts SOE code 3 and DOE cartridges
- SOE code 7 and code B adaptors available
- Available in 316L stainless steel or Alloy 22 for maximum compatibility
- Wide range of connection size and types, cartridge lengths and materials of construction
- PED Compliant to Sound Engineering Practice
- Full traceability on all parts, material certification packs available
- Rated to 10 bar g liquid, 10 bar g gas
- Can be supplied with a differential pressure gauge
- WRAS Approved product



Accessories	Part Number
Pressure Gauge and Vent Valve Kit 	60S000016
Ball Valve and Nipple 	60S000010
Stand 	50S010012
Mounting Bracket 	50S010003

Features and Benefits

- Investment Cast head (avoids the porosity & inclusion problems associated with lower quality sand castings)
- Integral vent and drain sockets to aid efficient filter changeout complete with PTFE washer
- Unique interchangeable configuration enables choice of SOE or DOE cartridge styles in the same housing
- Every housing is etched with a serial number for full traceability
- Full housing customisation service available
- Available in both 316L Stainless Steel and Alloy 22
- WRAS Approved product

Product Range

Amazon Filters design and manufacture an extensive range of liquid filtration systems, providing one of the widest selections of filtration vessels, depth filters and pleated cartridges available today, ensuring excellent process and filter compatibility. As one of Europe's leading manufacturers of filtration systems, Amazon Filters is able to offer a solution to meet all filtration requirements. Amazons' filters are manufactured in clean room conditions and all products come with detailed Product Validation Guides and Technical Support documentation.



51 Series Technical Data

Maximum Operating Conditions

Pressure Range: Liquid: FV / 10 bar g
Gas: FV / 10 bar g

Temperature Range: -10°C / 150°C

Materials of Construction

Body and Closure: 316L St.Steel
Alloy 22

Clamp: 304 St.Steel

Seal: Ethylene Propylene

Finish

Vessel: Externally polished sump, bead blast head

Connections

Inlet/Outlet: 1" BSPF

Vent: 1/4" BSPF with Plug

Drain: 1/4" BSPF with Plug

Model	Dimensions					Volume (Litres)	Dry Weight
	A	B	C	D	E		
5"	214	-	-	120	173	1.5	2.0
10"	341	-	-	120	300	2.2	2.5
20"	595	-	-	120	554	3.7	3.5
30"	849	-	-	120	808	5.2	4.5

PED Status: Compliant with 97/23/EC

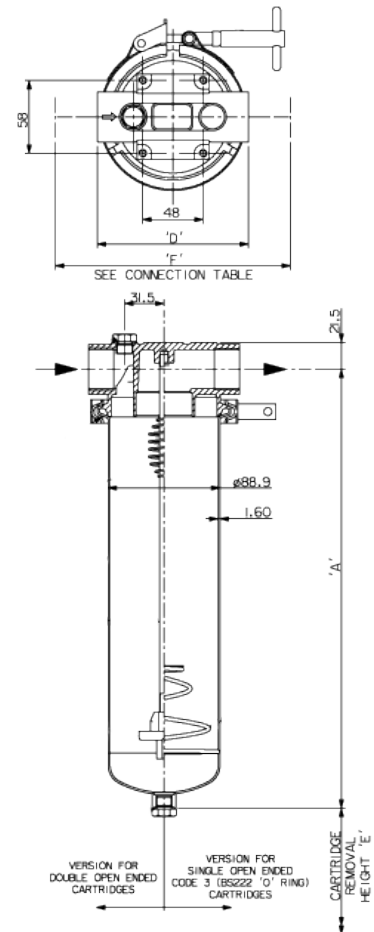
Fluid Groups: Gas Group 2
Liquids Group 1 + 2

Marking: 10" & 20": Sound Engineering Practice
30": CE Marked

Exceptions: Group 1 liquids - Explosive

ATEX: Compliant 94/9/EC, level CE Ex II 2 GD c X

Technical drawings for each individual housing showing dimensions, volume, weights, maximum temperatures and design pressures available on request.



Ordering Guide

5101	1	0	V	N	10	B	1	C	E
No of Stacks	Cartridge Length	Cartridge End Cap Style	Closure Style	Mounting	Connection	Connection Type	Materials	Finish	Seal
5101 - 1	0 - 5" 1 - Single 10" 2 - Double 20" 3 - Triple 30"	0 - Code 0 B - Code B 3 - Code 3 7 - Code 7 I - MCY1000 Insert*1	V - Pressed Vee Clamp	N - None E - Bracket K - Double Vent L - Double Vent and Bracket T - Differential pressure gauge and Bracket*2	10 - 1" 15 - 1 1/2"	B - BSPF (1" Only) C - BS4504 Flange PN16 H - ANSI Flange 150# L - Tri Clamp M - DIN11851 Coupling N - RJTM Coupling P - SMSM Coupling R - IDFM Coupling S - DIN2633 Flange T - NPTF (1" Only)	1 - 316 st.st (L Grade) 4 - Alloy 22	C - Externally polished sump, bead blast head D - Externally polished sump, electropolished head J - Externally polished sump, pickle electropolished and bead blast head (Hastelloy Only)	E - EPDM F - FEP/Silicone S - Silicone V - Viton

Example: 510110VN10B1CE = 51 Series, 1 x 10" DOE cartridge, pressed vee clamp closure, No mounting, 1" BSPF connections. St.Steel construction with EPDM gaskets, externally polished sump with bead blast head.
*1 Can not be converted to accept code 3 cartridges. *2 Only rated for temperatures of -10°C/93°C

AMAZON FILTERS LTD.

ALBANY PARK ESTATE, FRIMLEY ROAD
CAMBERLEY, SURREY, GU16 7PG
ENGLAND

Tel. +44 (0) 1276 670600
Fax. +44 (0) 1276 670101
Email. sales@amazonfilters.co.uk
Web. www.amazonfilters.com